

SILENT ROOM M acoustic pods



FEATURES

- Enhanced ergonomic and comfort
- Advanced lighting and ventilation
- Excellent sound absorption and insulation
- Design and wide customization possibilities

TECHNICAL INFORMATION



External walls (5 panels upholstered with fabric) (1)

- Welded frame made of metal tube 40x20 mm;
- Angular brackets made of metal tube 40x40 mm;
- Powder coated metal;
- Height levelling feet (+30 mm);
- Made of 12 mm MFC;
- Covered with VB2240 foam (3 mm);
- Upholstered with fabric.

External walls (1 solid panel from melamine) (1)

- Welded frame made of metal tube 40x20 mm;
- Angular brackets made of metal tube 40x40 mm;
- Powder coated metal;
- Height levelling feet (+30 mm);
- Made of 16 mm MFC with 1 mm ABS edging.

External walls with glass (1)

- Metal door frame made of 40x20 mm tube;
- Powder coated metal;
- Inside gasket is made of 12 mm MFC with 1 mm ABS edging;
- Front sides and top of the metal frame covered with 16 mm MFC with 1 mm ABS edging;
- 8 mm TSG (tempered safety glass), clear.

Internal acoustic walls (5 panels upholstered with fabric) (2)

- Frame made of metal tube 40x20 mm;
- Powder coated metal;
- Made of 12 mm MFC;
- Acoustic foam (40 mm);
- Upholstered with fabric.

Internal front walls (5 panels upholstered with fabric) (3)

- Frame made of metal tube 40x20 mm;
- Powder coated metal;
- Made of 12 mm MFC;
- Covered with VB2240 foam (3 mm);
- Upholstered with fabric.

Internal front walls (1 solid panel from melamine) (3)

- Frame made of metal tube 40x20 mm;
- Powder coated metal;
- Made of 16 mm MFC with 1 mm ABS edging.

Internal front central wall (with air injection system and control unit) (4)

- Top front panel is made of 16 mm MFC with 1 mm ABS edging;
- Bottom front panel with hinges is made of 16 mm MFC with 1 mm ABS edging;
- Sides and internal construction parts made of 16 mm MFC with 0,5 mm ABS edging;
- Ventilation and lighting dimming knobs are made of PA 2200 (Nylon);
- Vent covers made of metal sheet (1,5 mm and 0,5 mm);
- Powder coated metal.

Table (5)

- Tabletop is made of 16 mm MFC with 1 mm ABS edging;
- Box for wires (135x150x100 mm) underneath the table top is made of powder coated metal sheet (1 mm);
- Table frame is made of metal tube 40x20 mm;
- Top of leg is made of metal tube 70x20 mm;
- Leg base is made of metal tube 40x40 mm;
- Powder coated metal;
- Height levelling plastic feet (+10 mm).

Ceiling (with air extraction system and LED light) (6)

- Ceiling panel is made of 16 mm MFC with 1 mm ABS edging;
- PIR sensor mounted in to ceiling panel;
- Air extraction box made of 16 mm MFC with 0,5 mm ABS edging and metal tube 40x20;
- Vent covers made of metal sheet (1,5 mm);
- Powder coated metal;
- Air extraction box inside top glued with acoustic foam (PV5010).

Lighting (7)

- 6xLED modules (8,8W) colour temperature approx. 3000 K, dimmable;
- 4xLED housing (asymmetrical) made of aluminium;
- 2xLED housing (symmetrical) made of aluminium;
- LED module replacement can only be purchased from manufacturer.

Monitor holder (8)

- Monitor holder base is made from powder coated metal tube 70x20 mm;
- VESA plate (120x120 mm) made of 2 mm metal sheet;
- VESA standards – 75x75 mm, 100x100 mm and recommended weight up to 10 kg;

- VESA plate can be fixed to the holder in 3 different heights;
- Bolts for flat screen assembly are not included.

Ventilation (9)

- 5x air supply fans located in bottom of internal front central wall;
- 5x air extraction fans located in ceilings;
- Maximum airflow approx. 500 m³/h;
- Fan noise level at maximum airflow up to 28,1 dB(A) (1 pcs)

Doors (L/R) (10)

- Metal door frame made of 40x40 mm tube and 40x8 mm steel rod;
- Powder coated metal;
- Bottom of door frame covered with stainless steel profile;
- Aluminium profiles with PVC sealing fixed to internal sides and top of door frame;
- Top of the metal frame covered with 16 mm MFC with 1 mm ABS edging;
- 8 mm TSG (tempered safety glass), clear.

Glass facade (11)

- Metal door frame made of 40x20 mm tube;
- Powder coated metal;
- Inside gasket is made of 12 mm MFC with 1 mm ABS edging;
- Front sides and top of the metal frame covered with 16 mm MFC with 1 mm ABS edging;
- 8 mm TSG (tempered safety glass), clear.

Control box

- Input (GST18i3 male): 100-240 V;
- Frequency: 50/60 Hz;
- Power cable: EU, UK, FR, CH, US – GST18i3 female, 3 meters;
- Power consumption – 110W, standby 3W;

Power socket (ARU704)

- 1 AC power socket 100-240 V;
- Integrated USB fast charger (USB Type A+C, max 5A);
- 1 cable guide for multimedia cable;
- Mounting in Ø80 mm cut-out;
- Dimensions: Ø90x66 mm;
- Power socket standards: EU, FR, UK, CH, US;
- Cable length: 0,8 m.



Power socket (ARU703)

- 1 AC power socket 100-240 V;
- Dimensions: 90x66 mm;
- Mounting in Ø80 mm cut-out;
- Power socket standards: EU, FR, UK, CH, US;
- Cable length: 0,8 m.



Power socket block set for media (ZZZ336)

- 3 AC power sockets 100-240 V;
- Dimensions: 260x60x45 mm;
- Adaptor block GST18i3 T-type - 1xmale, 2xfemale;
- Power socket standards: EU, FR, UK, CH, US;
- Extension cable length: 0,7 m - GST18i3 male - GST18i3 female.



Power socket block set for media (ZZZ340)

- 3 AC power sockets 100-240 V;
- Dimensions: 260x60x45 mm;
- Metal frame 317x119x40, made from 2 mm metal sheet;
- Powder coated metal;
- Mounting in 300x110 mm cut-out;
- Power socket standards: EU, FR, UK, CH, US;
- Extension cable length: 0,7 m - GST18i3 male - GST18i3 female.



Power socket block set for media (ZZZ341)

- 2 AC power sockets 100-240 V;
- 1 LAN outlet (CAT6 RJ45) with 2m flylead;
- Dimensions: 260x60x45 mm;
- Metal frame 317x119x40, made from 2 mm metal sheet;
- Powder coated metal;
- Mounting in 300x110 mm cut-out;
- Power socket standards: EU, FR, UK, CH, US;
- Extension cable length: 0,7 m - GST18i3 male - GST18i3 female.



Power socket block set for media (ZZZ342)

- 2 AC power sockets 100-240 V;
- 1 Integrated USB fast charger (Type A+C, max 5A);
- Dimensions: 260x60x45 mm;
- Metal frame 317x119x40, made from 2 mm metal sheet;
- Powder coated metal;
- Mounting in 300x110 mm cut-out;
- Power socket standards: EU, FR, UK, CH, US;
- Extension cable length: 0,7 m - GST18i3 male - GST18i3 female.



Power socket block set for media (ZZZ343)

- 1 AC power sockets 100-240 V;
- 1 Integrated USB fast charger (Type A+C, max 5A);
- 1 LAN outlet (CAT6 RJ45) with 2m flylead;
- Dimensions: 260x60x45 mm;
- Metal frame 317x119x40, made from 2 mm metal sheet;
- Powder coated metal;
- Mounting in 300x110 mm cut-out;
- Power socket standards: EU, FR, UK, CH, US;
- Extension cable length: 0,7 m - GST18i3 male - GST18i3 female.



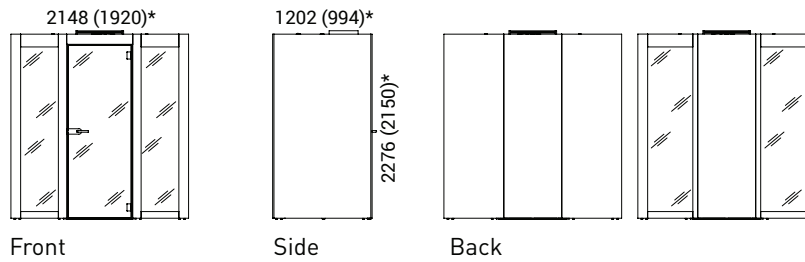
GUARANTEE

- 5 years, except the electrical parts (2 years)

RANGE

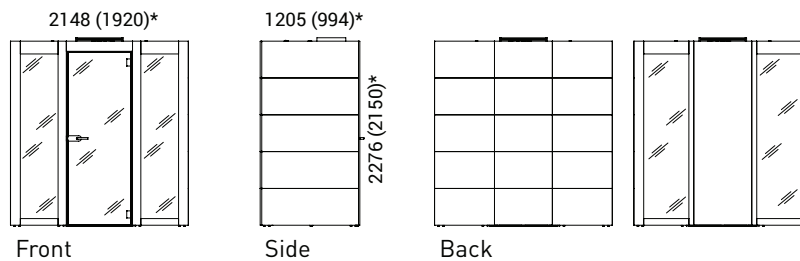
Melamine version

Product weight:
658 kg.



Fabric version

Product weight:
637 kg.

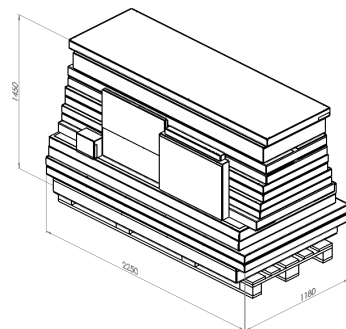


*External dimension (internal dimension)

Shipping dimensions (W x D x H): 2250 x 1000 x 1200 – 2 palletes***

***Accessories not included

Height of shipping dimensions will be slightly smaller for Silent Room with external rear wall with glass panes.



Optional



Autonomous smoke alarm device



Smoke alarm device for alarm system



Dark grey carpet for 4 persons**



Power socket block set for media

**Highly recommended when SILENT ROOM is placed on the hard flooring

ADDITIONAL INFORMATION

